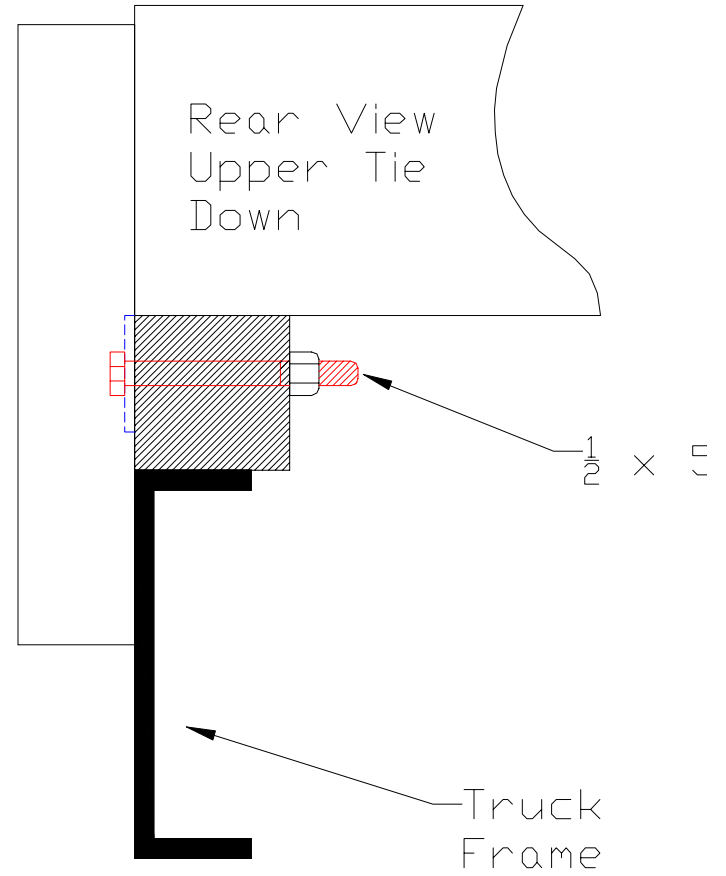
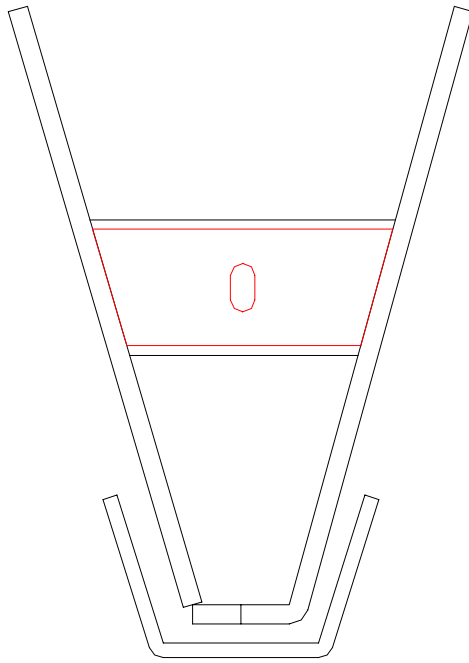


TIE DOWNS FOR 16-T TENDERS

3-16-07



Rear Discharge Tenders
using 4" x 4" Boards